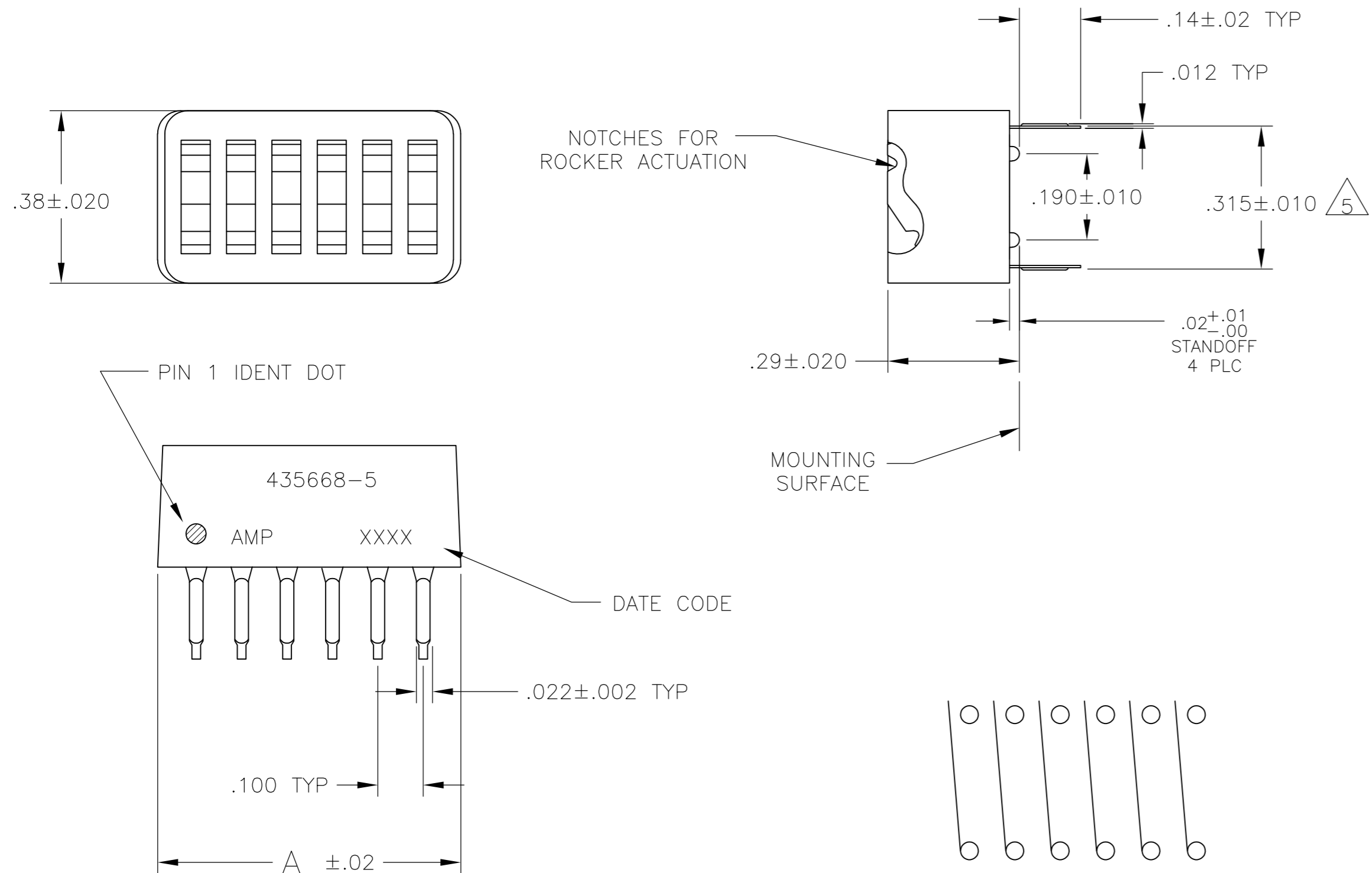


THIS DRAWING IS UNPUBLISHED. RELEASED FOR PUBLICATION
 © COPYRIGHT - By - ALL RIGHTS RESERVED.

LOC	DIST	REVISIONS			
P	LTR	DESCRIPTION	DATE	DWN	APVD
AD	00				
	A2	REVISED PER ECO-11-004917	11MAR11	RK	HMR



- FOR ADDITIONAL SPECIFICATIONS SEE AMP PRODUCT SPEC 108-7532.
- SWITCH SHOWN IN OPEN POSITION.
- ALL CHARACTERS AND ROCKERS ARE WHITE, HOUSING IS BLUE.
- STAMPING WILL VARY ON 2 AND 3 POSITION SIDES DUE TO SPACE RESTRICTIONS.
- .315 DIMENSION APPLIES AT TERMINAL TIPS. TERMINALS ARE .300 +.010 AT MOUNTING SURFACE. -.000
- ALL MATERIALS AND FINISHES SHALL COMPLY WITH EU DIRECTIVE 2002 /95/EC OF 27JAN2003 (ROHS).
- MATERIAL: HOUSING AND ROCKERS - POLYESTER
CONTACT & SOLDER LEAD - COPPER ALLOY
- FINISH: CONTACT - GOLD OVER NICKEL
SOLDER LEAD - TIN OVER NICKEL
- OBSOLETE PARTS: OBSOLETE CIS STREAMLINING PER D.RENAUD/D.SINISI

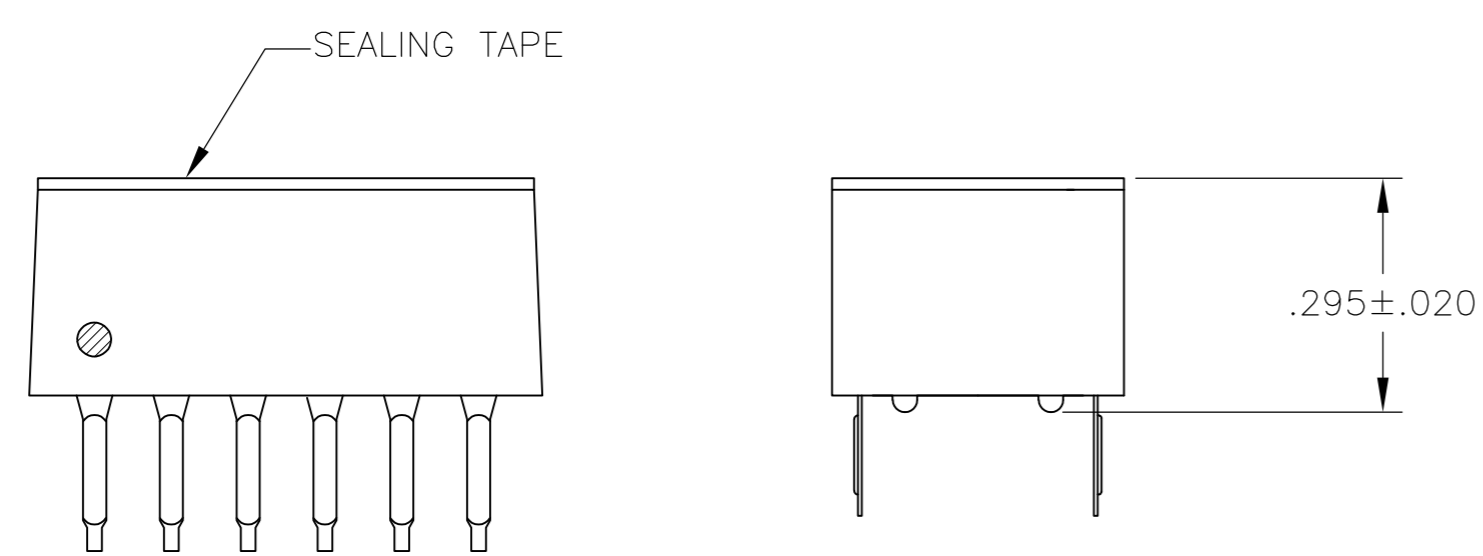
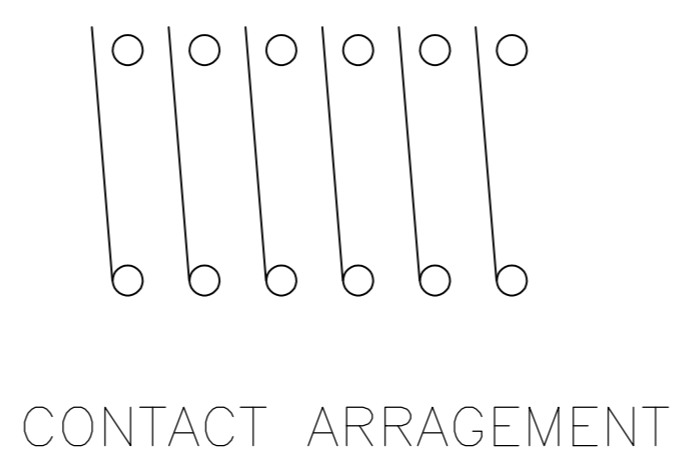
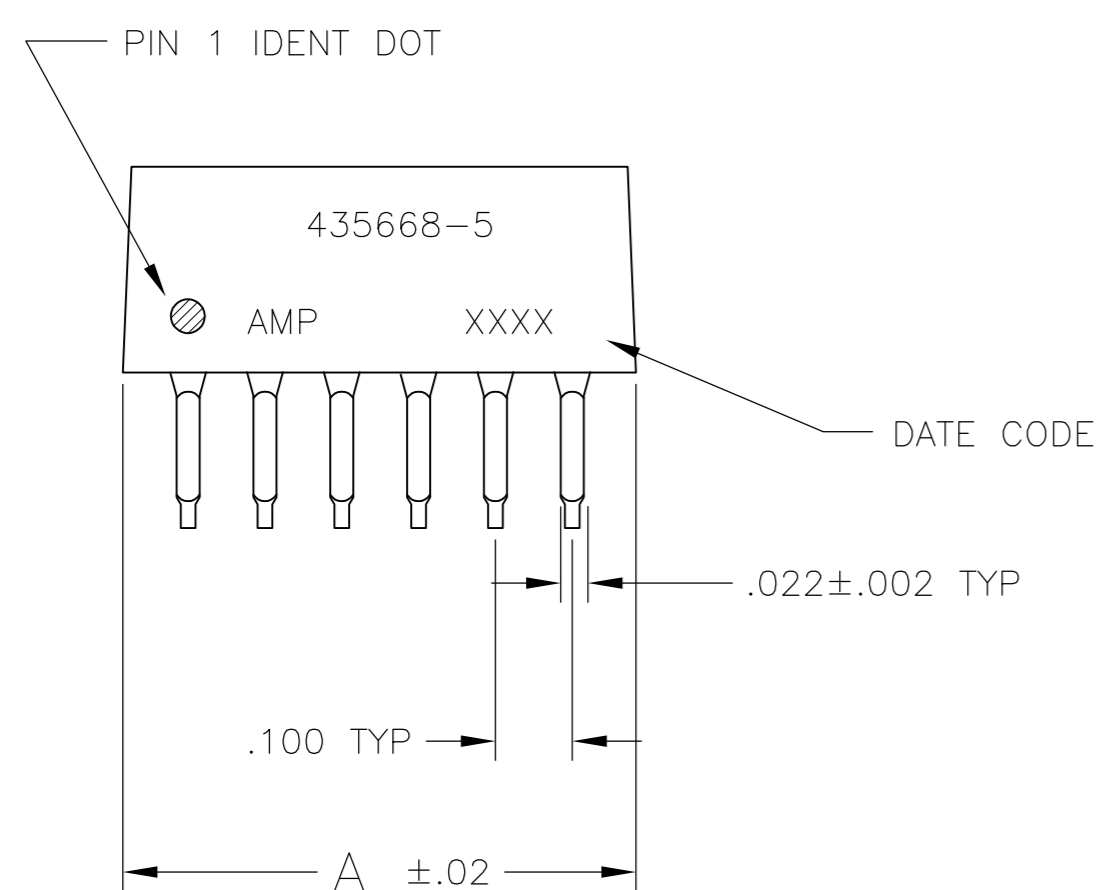


FIG 1

FIG	DESCRIPTION	QTY	UNIT	NO	OF POSN	PART NO
9	OBSOLETE	FIG 7	—	.58	5	8-5435668-7
				.58	5	3-5435668-5
				.48	4	3-5435668-4
				.38	3	3-5435668-3
9	OBSOLETE	FIG 1	FIG 2	1.28	12	3-5435668-2
9	OBSOLETE			1.18	11	3-5435668-1
				1.08	10	3-5435668-0
				.98	9	2-5435668-9
				.88	8	2-5435668-8
				.78	7	2-5435668-7
				.28	2	2-5435668-6
				.68	6	2-5435668-5
				1.08	10	5435668-9
				.88	8	5435668-7
		.68	6	5435668-5		
		.58	5	5435668-4		
		.48	4	5435668-3		
9	OBSOLETE			.28	2	5435668-1

THIS DRAWING IS A CONTROLLED DOCUMENT.		DWN BSV	OBJAN05	TE TE Connectivity	
DIMENSIONS: INCHES		CHK -	APVD -		
TOLERANCES UNLESS OTHERWISE SPECIFIED:		PRODUCT SPEC -		SWITCH ASSY, DIP, TYPE C, 7100 SERIES, SPST, LOW PROFILE	
0 PLC ± -		APPLICATION SPEC -		SIZE	RESTRICTED TO
1 PLC ± -		WEIGHT -		CAGE CODE	A2 00779
2 PLC ± -		CUSTOMER DRAWING		DRAWING NO	
3 PLC ± .005		SCALE 4:1		NO OF POSN	1 OF 2
4 PLC ± -		SHEET		REV	A2
ANGLES ± -		SCALE		REV	
FINISH		SCALE 4:1		SHEET 1 OF 2	

THIS DRAWING IS UNPUBLISHED. RELEASED FOR PUBLICATION
 © COPYRIGHT - By - ALL RIGHTS RESERVED.

LOC	DIST	REVISIONS					
		P	LTR	DESCRIPTION	DATE	DWN	APVD
AD	00	-	-	SEE SHEET 1	-	-	-

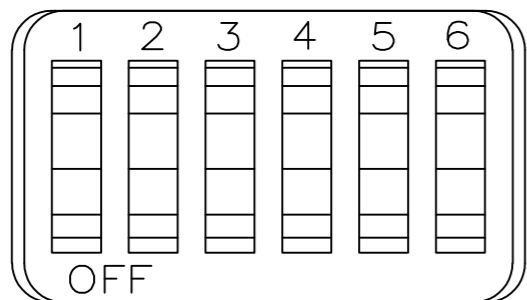


FIG 2

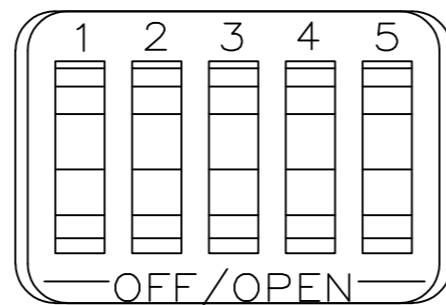


FIG 7

THIS DRAWING IS A CONTROLLED DOCUMENT.		DWN	08JAN05			TE Connectivity	
DIMENSIONS: INCHES		BSV	-			SWITCH ASSY, DIP, TYPE C, 7100 SERIES, SPST, LOW PROFILE	
TOLERANCES UNLESS OTHERWISE SPECIFIED:		CHK	-		NAME		
0 PLC ± -		APVD	-		SIZE		
1 PLC ± -		PRODUCT SPEC	-		CAGE CODE		
2 PLC ± -		APPLICATION SPEC	-		DRAWING NO		
3 PLC ± .005		WEIGHT	-		RESTRICTED TO		
4 PLC ± -		MATERIAL		A2 00779		C=5435668	
ANGLES ± -		FINISH		CUSTOMER DRAWING		SCALE	4:1
FINISH		-		SHEET		2 of 2	
-		-		REV		A2	